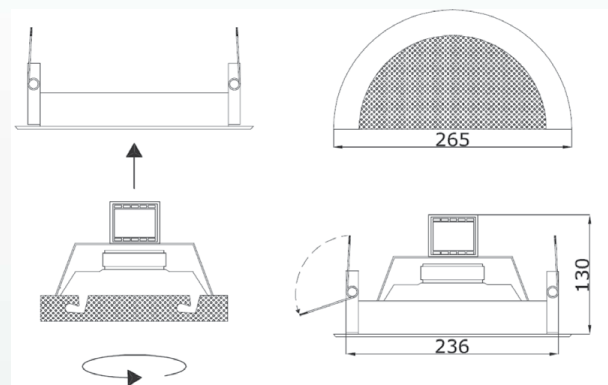
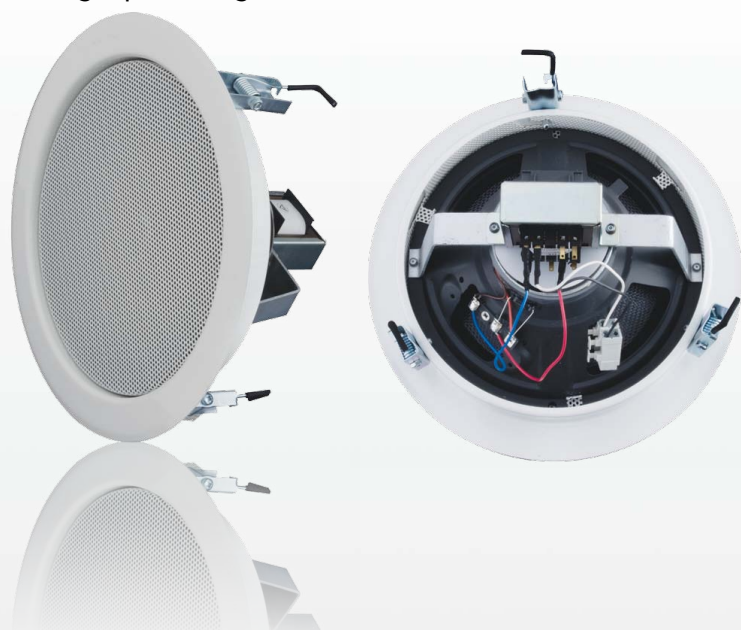




DEL 200/30 plus

Due to its 2-ways version this loudspeaker makes an equal allocation in all directions possible and shows at the same time excellent acoustic characteristics and a high efficiency. For that reason this loudspeaker differentiates itself from the classic ceiling loudspeakers. The DEL 200/30 plus, made of powder-coated metal, is ideally suited for a wide variety of applications. The exceptional spring mounting with cropped leg springs guarantees an outstanding rapid ceiling installation.



Specifications

Type	DEL 200/30 plus
Loading rate	30 W
Chassis-type	200 mm full range 2-ways
Frequency range (-10dB)	85 - 19 600 Hz
SPL 1W/1m	101 dB
SPL Pmax/1m	115,8 dB
Radiation angle 1.000 Hz (-10dB)	160°
Transformer	100 V, 30/20/10/5 Watt
Dimensions	Ø265 x 130 mm/ installation depth
Cut out	Ø236 mm - Ø250 mm
Weight	2,0 kg
Material	powder-coated, steel panel
Connection	2 -pole compression clamp
Colour	RAL-9010 White/special colouring is possible for a surcharge
Packing unit	8