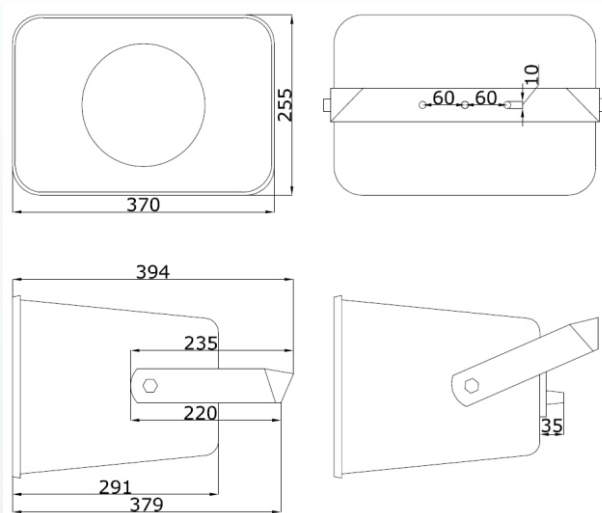




PARTNER sp. z o.o.

MH 60 plus

This weatherproof 2-way horn speaker has been developed for high quality speech and music reproduction. The horn speaker is qualified for indoor application as well as for outdoor application with high interference levels. Included in delivery is the aluminium bracket.



Specifications

| | |
|----------------------------------|--------------------------|
| Type | MH 60 plus |
| Loading rate | 60 W |
| Frequency range (-10dB) | 118 - 20 000 Hz |
| SPL 1W/1m | 97 dB |
| SPL Pmax/1m | 115 dB |
| Radiation angle 1.000 Hz (-10dB) | 90° |
| Transformer | 100 V, 60/30/15/7,5 Watt |
| Dimensions | 370 x 255 x 291 mm |
| Weight | 5,9 kg |
| Material | ABS Plastic |
| Connection | clamp |
| Colour | RAL-7035 Grey |
| Protection IP | 66 |
| Packing unit | 4 |