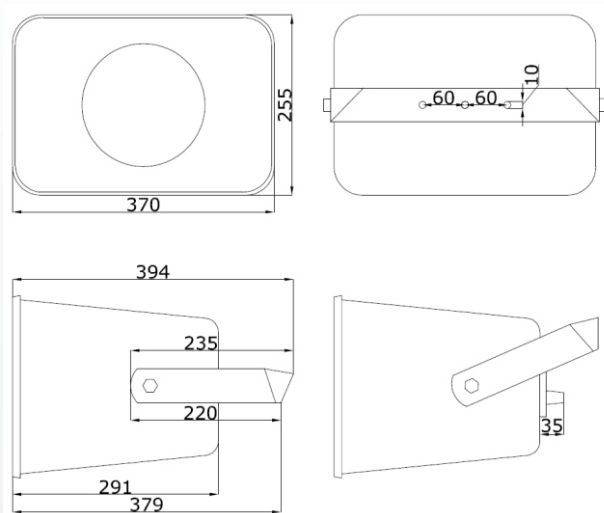




PARTNER sp. z o.o.

MH 30 plus

This weatherproof 2-way horn speaker has been developed for high quality speech and music reproduction. The horn speaker is qualified for indoor application as well as for outdoor application with high interference levels. Included in delivery is the aluminium bracket.



Specifications

Type	MH 30 plus
Loading rate	30 W
Frequency range (-10dB)	100 - 20 000 Hz
SPL 1W/1m	97 dB
SPL Pmax/1m	113 dB
Radiation angle 1.000 Hz (-10dB)	85°
Transformer	100 V, 30/15/7,5/3,75 Watt
Dimensions	350 x 255 x 291 mm
Weight	5,5 kg
Material	ABS Plastic
Connection	clamp
Colour	RAL-7035 Grey
Protection IP	66
Packing unit	4