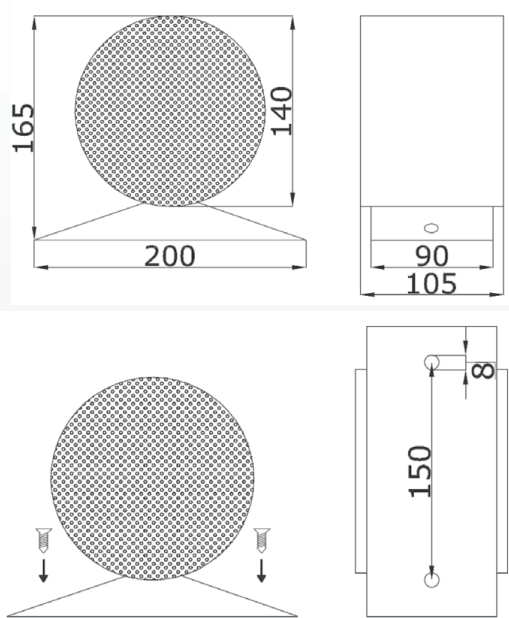
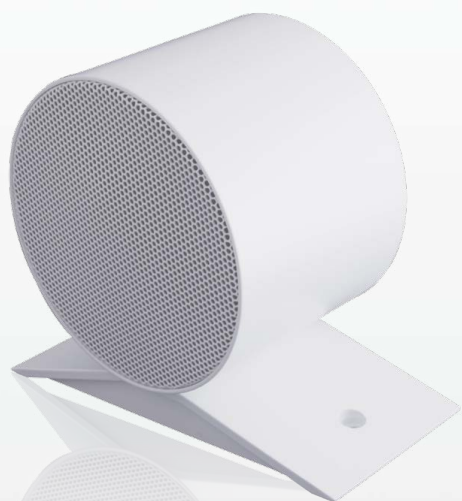




PARTNER sp. z o.o.

DAD 130/10

The DAD 130/10 series can be used as indoor applications in halls or corridors. Those bi-directional sound projectors are completely made of resistant, powder-coated aluminium.



Specifications

Type	DAD 130/10
Loading rate	10 W
Chassis-type	130 mm full range
Frequency range (-10dB)	205 - 19 800 Hz
SPL 1W/1m	96,4 dB
SPL Pmax/1m	106,4 dB
Radiation angle 1.000 Hz (-10dB)	360°
Transformer	100 V, 10/6/3/1,5 Watt
Dimensions	Ø140 x 105 mm
Weight	1,8 kg
Material	powder-coated aluminium tube
Connection	wire 1 m
Colour	RAL-9010 White
Packing unit	8