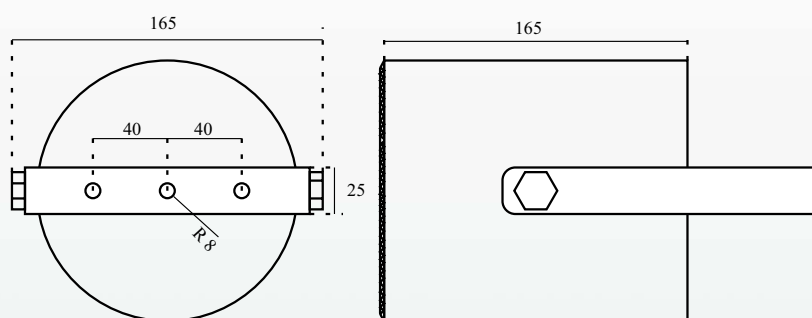




DAW 130/10

The weatherproof sound projectors of the DAW series are exceedingly suitable for outdoor use in open air baths and sport facilities. The resistant powdercoated aluminium grants a high corrosion resistance. The DAW 130/10 series can also be recommended for indoor applications in halls and corridors. Furthermore the mounting of the sound projector series is very comfortable due to the swivel-slope-technique of the U-mounting bracket.



Specifications

Type	DAW 130/10
Loading rate	10 W
Chassis-type	130 mm full range
Frequency range (-10dB)	125 - 20 000 Hz
SPL 1W/1m	94,3 dB
SPL Pmax/1m	104,3 dB
Radiation angle 1.000 Hz (-10dB)	180°
Transformer	100 V, 10/6/3/1,5 Watt
Dimensions	Ø140 x 165 mm
Weight	2,8 kg
Material	powder-coated aluminium tube
Connection	wire 1 m
Colour	RAL-9010 White
Protection IP	66
Packing unit	8