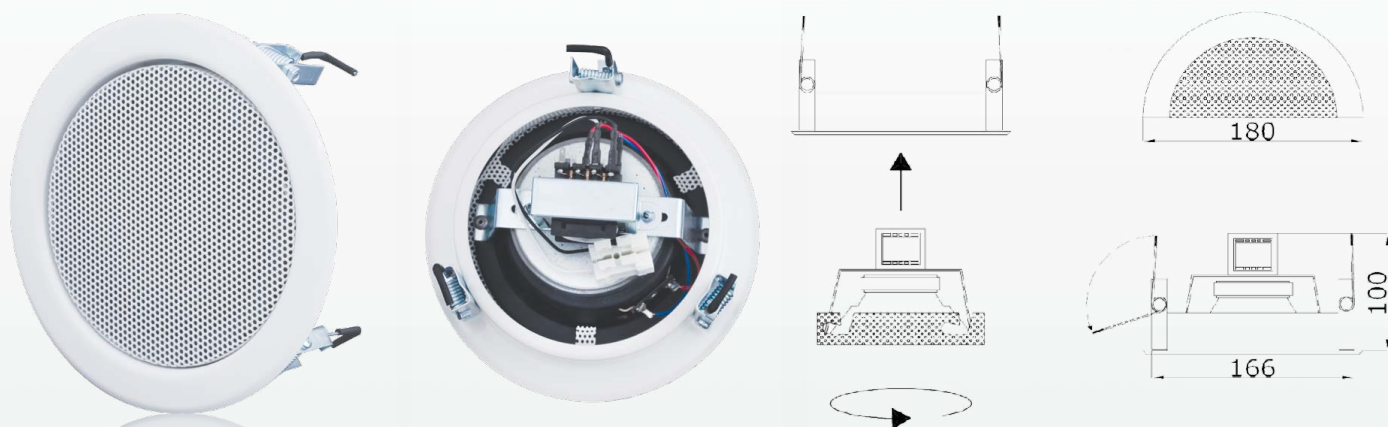




DEL 130/10 plus

Due to its 2-ways version this loudspeaker makes an equal allocation in all directions possible and shows at the same time excellent acoustic characteristics and a high efficiency. For that reason this loudspeaker differentiates itself from the classic ceiling loudspeakers. The DEL 130/10 plus, made of powder-coated metal, is ideally suited for a wide variety of applications. The exceptional spring mounting with cropped leg springs guarantees an outstanding rapid ceiling installation.



Specifications

Type	DEL 130/10 plus
Loading rate	10 W
Chassis-type	130 mm full range 2-ways
Frequency range (-10dB)	75 - 25 100 Hz
SPL 1W/1m	89,1 dB
SPL Pmax/1m	108,1 dB
Radiation angle 1.000 Hz (-10dB)	180°
Transformer	100 V, 10/6/3/1,5/ Watt
Dimensions	Ø180 x 115 mm / installation depth
Cut out	Ø166 mm - Ø170 mm
Weight	1,3 kg
Material	powder-coated, steel panel
Connection	2 -pole compression clamp
Colour	RAL-9010 White/special colouring is possible for a surcharge
Packing unit	12