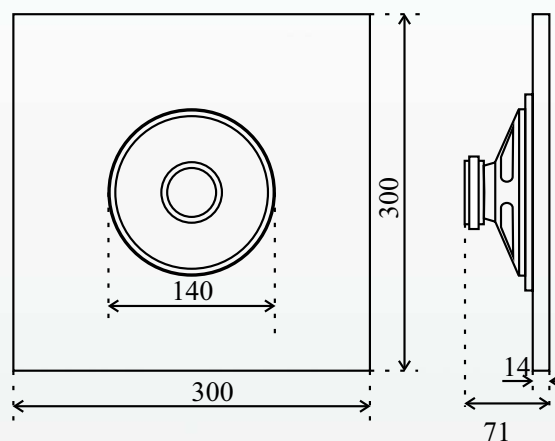




HSL 165/6

This loudspeaker is exceedingly qualified for installations in ceilings and walls of large stores, factories and restaurants. Due to the 165 mm full range chassis this baffle speaker offers excellent acoustic characteristics and a high efficiency.



Specifications

Type	HSL 165/6
Loading rate	6 W
Chassis-type	165 mm full range
Frequency range (-10dB)	95 - 22 500 Hz
SPL 1W/1m	99,2 dB
SPL Pmax/1m	107,0 dB
Radiation angle 1.000 Hz (-10dB)	170°
Transformer	100 V, 6/3/1,5 /0,75 Watt
Dimensions	300 x 300 x 71 mm/ installation depth
Weight	1,6 kg
Material	wood
Connection	2 -pole compression clamp
Colour	black
Packing unit	8