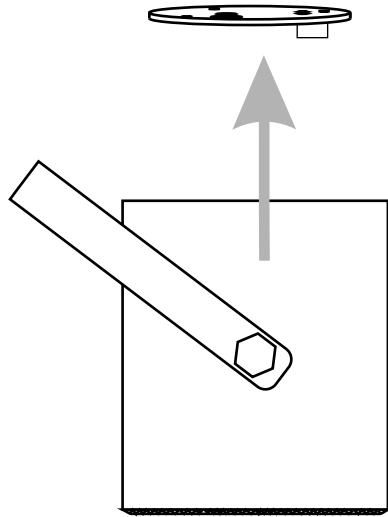


Speakers Installation Instructions

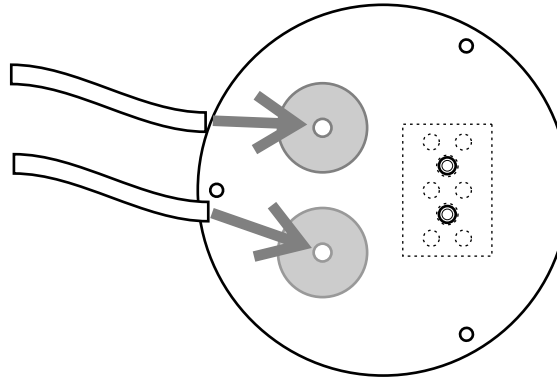
DAW 130/10 PP

DAW 130/20 PP

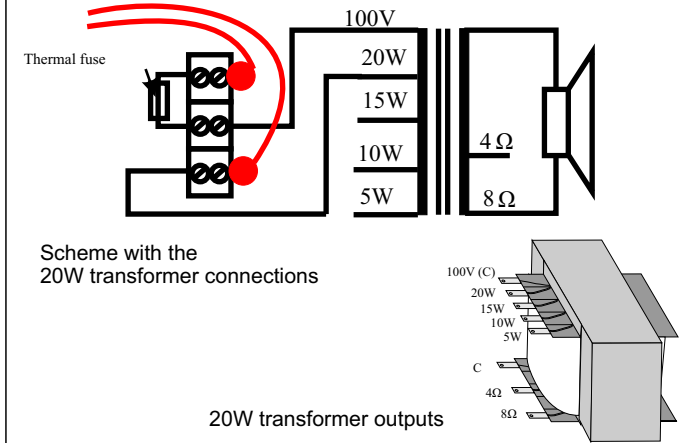
1. Remove the screws from back cover of speaker, then remove cover.



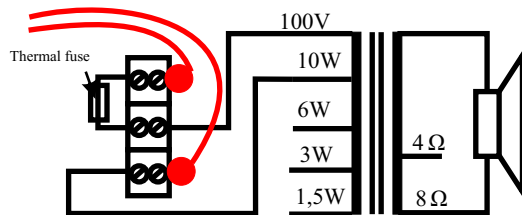
2. Feed the wires into the rubber bushing



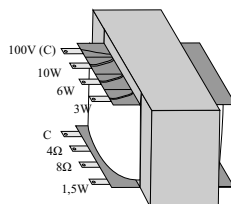
3. Connect the wires to the ceramic cubes in two selected places. Tighten the back cover to the speaker.



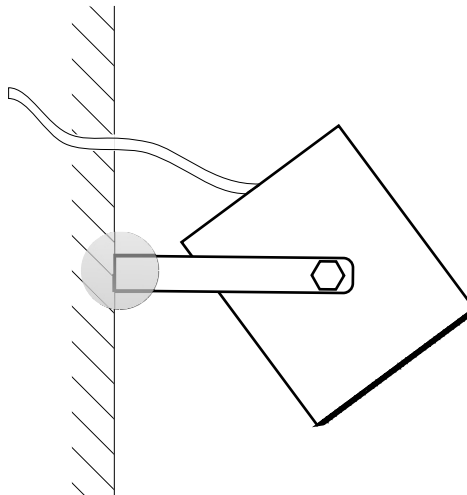
Scheme with the 10W transformer connections



10W transformer outputs



4. Tighten the speaker to his mounting point on the ceiling / wall. Wall plug with plastic or Zn-Al alloys bushing should not be used.



5. Check again, if connection is correct

6. Due to use of one ceramic cube, each of lines input and output wire should be connect using end sleeve.