

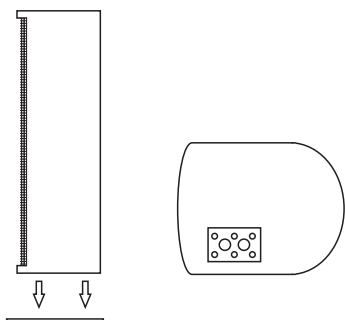
Installation manual

TSU 300/10 PP TSU 500/20 PP TSU 700/30 PP TSU 1000/50 PP



PARTNER sp. z o.o.

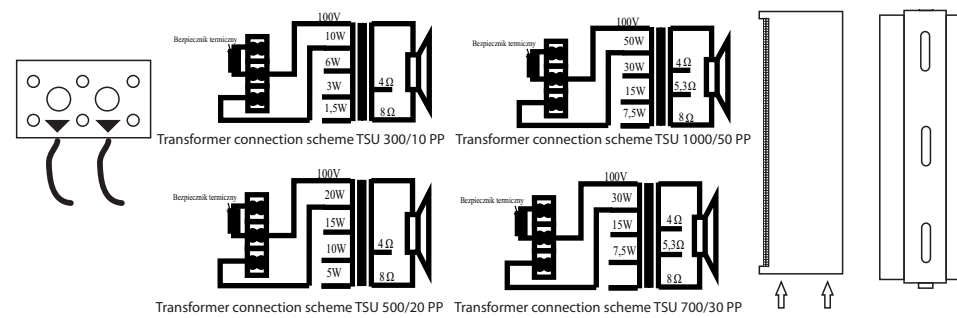
- 1** After unpacking the carton, unscrew the bolts of down cover of the speaker, take out this cover with the ceramic block to a distance that does not cause the internal wiring to break or come loose.



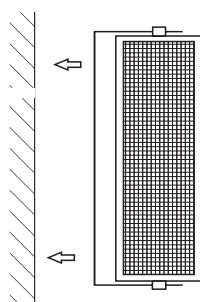
- 2** Feed the wires from the cable line side through the glands of the back cover to the ceramic block. It is suggested to cut the cable insulation beforehand for easier mounting in the ceramic block (the internal wire isolation should be cut at least 7 mm).



- 3** Screw the wires to the ceramic block as shown in the diagram below. Check the stability of the connection. For more safety in wires connection, a metal sleeve shall be used to connect the two wires in the terminal. Then screw the bead back onto the entire housing.



- 4** Fix the loudspeaker to the wall using dedicated frames. Check the stability and aesthetics of the fixing and the tilt of the loudspeaker after installation (the last in case of using optional distance plates), taking into consideration the acoustic conditions and the required sound radiation angle (or acoustic simulation suggestions if exist). It is allowed first to fix loudspeaker to the wall and after this completing points 1, 2 and 3.



SAFETY PRECAUTIONS:

1. After unpacking, check the speaker and its enclosure for damage;
2. Read this installation manual carefully before starting installation process – consider installation options from this instruction – depending on the number of wires in the cable line or the line control method;
3. Check if fitting method (ceiling, wall, pendant etc) complies with EN 54 certificate, catalogue data or local approval if concerns;
4. Install the speaker only in a location that can structurally support the full weight of the unit and mounting bracket;
5. Do not use other methods than specified to install the speaker. Ensure that all screws are securely tightened. Do not mount the speaker in locations exposed to constant vibration. Not keeping higher above rules may cause the speaker could fall down, possibly resulting in personal injury;
6. When connecting speaker line cables check also if the power tap selected on the transformer is the correct one – follow system design. Change if necessary.
7. Make sure amplifier's power is switched off when connecting the speakers, to avoid electric shocks.

www.partneraudio.eu

